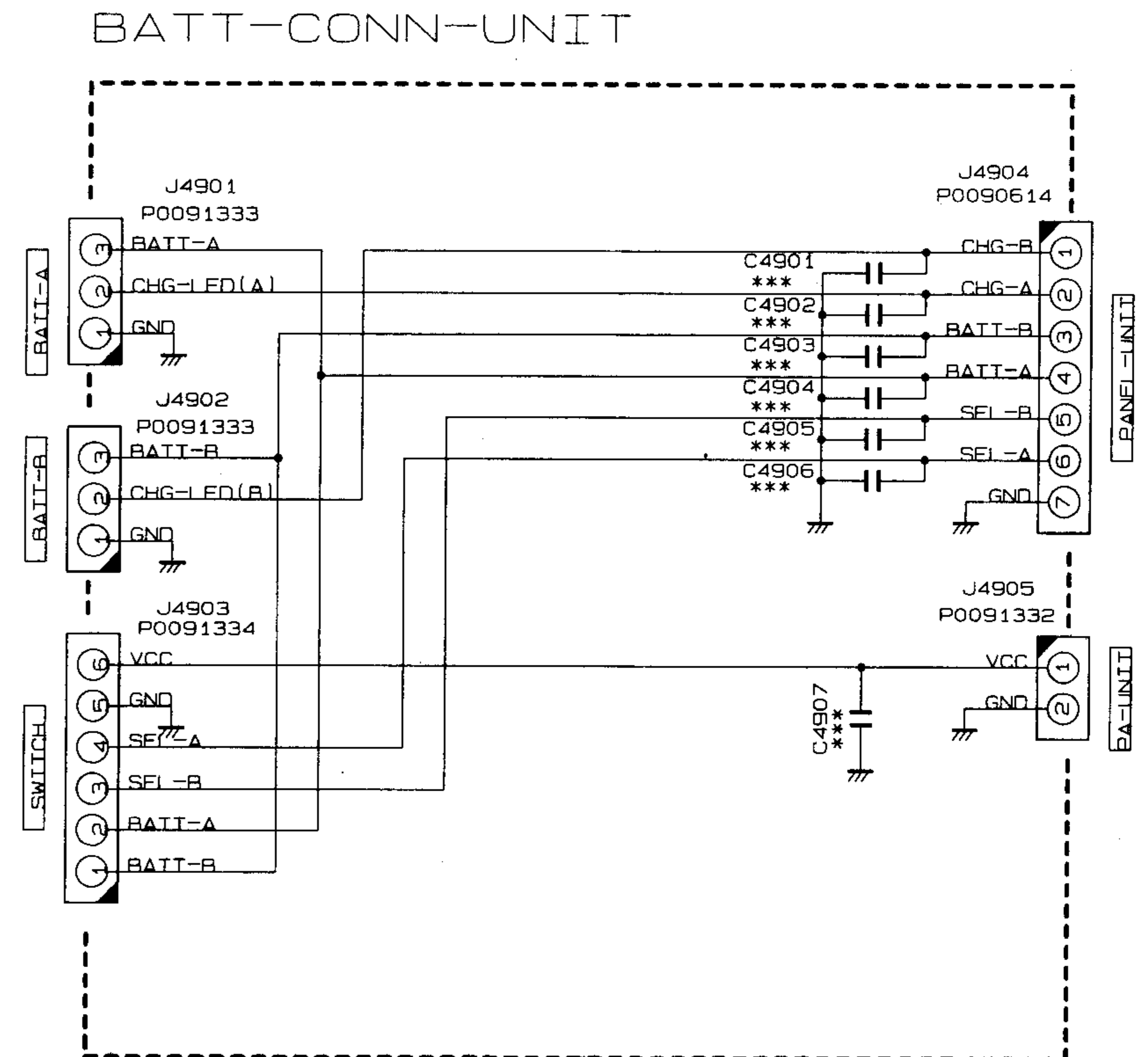
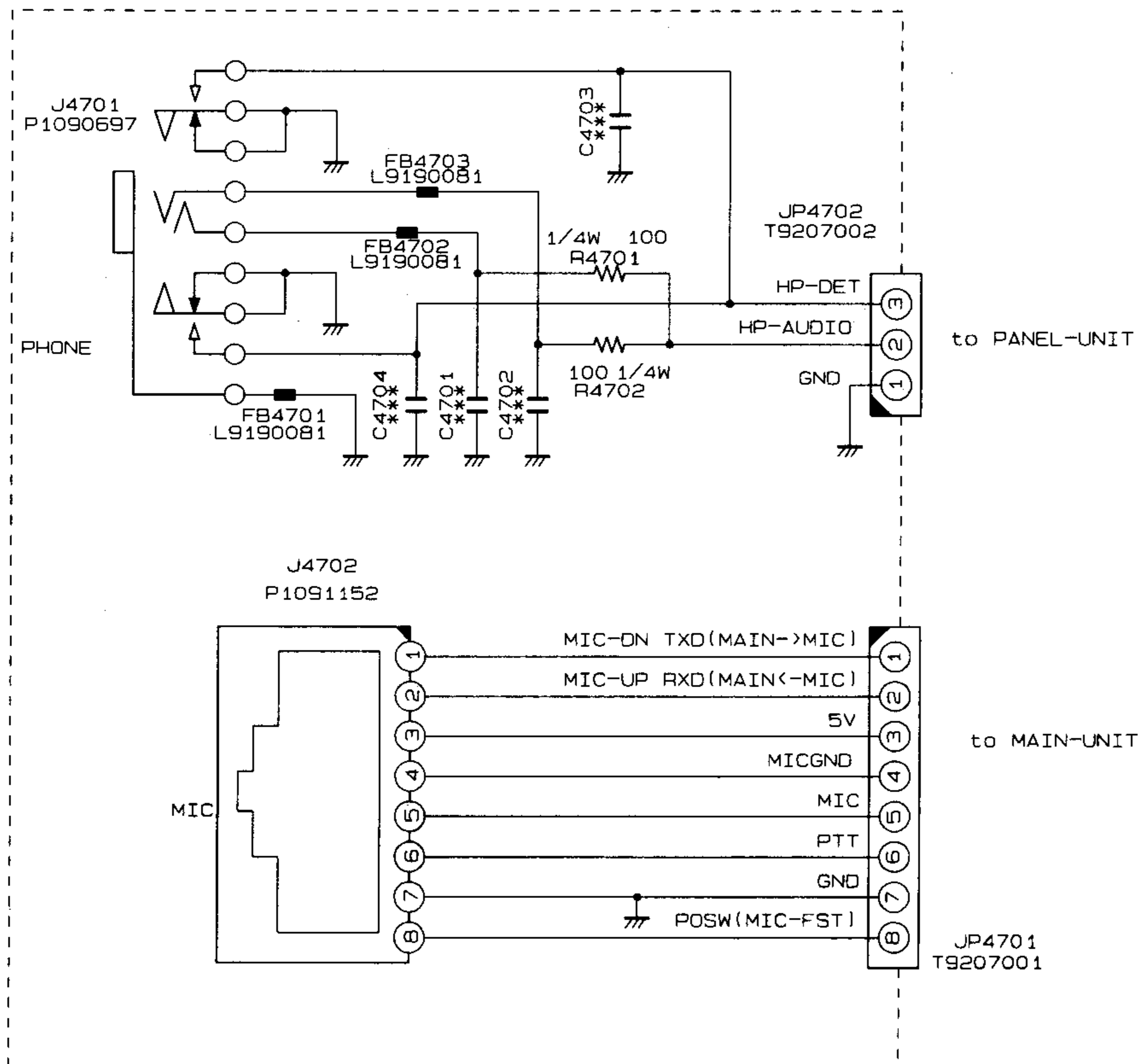
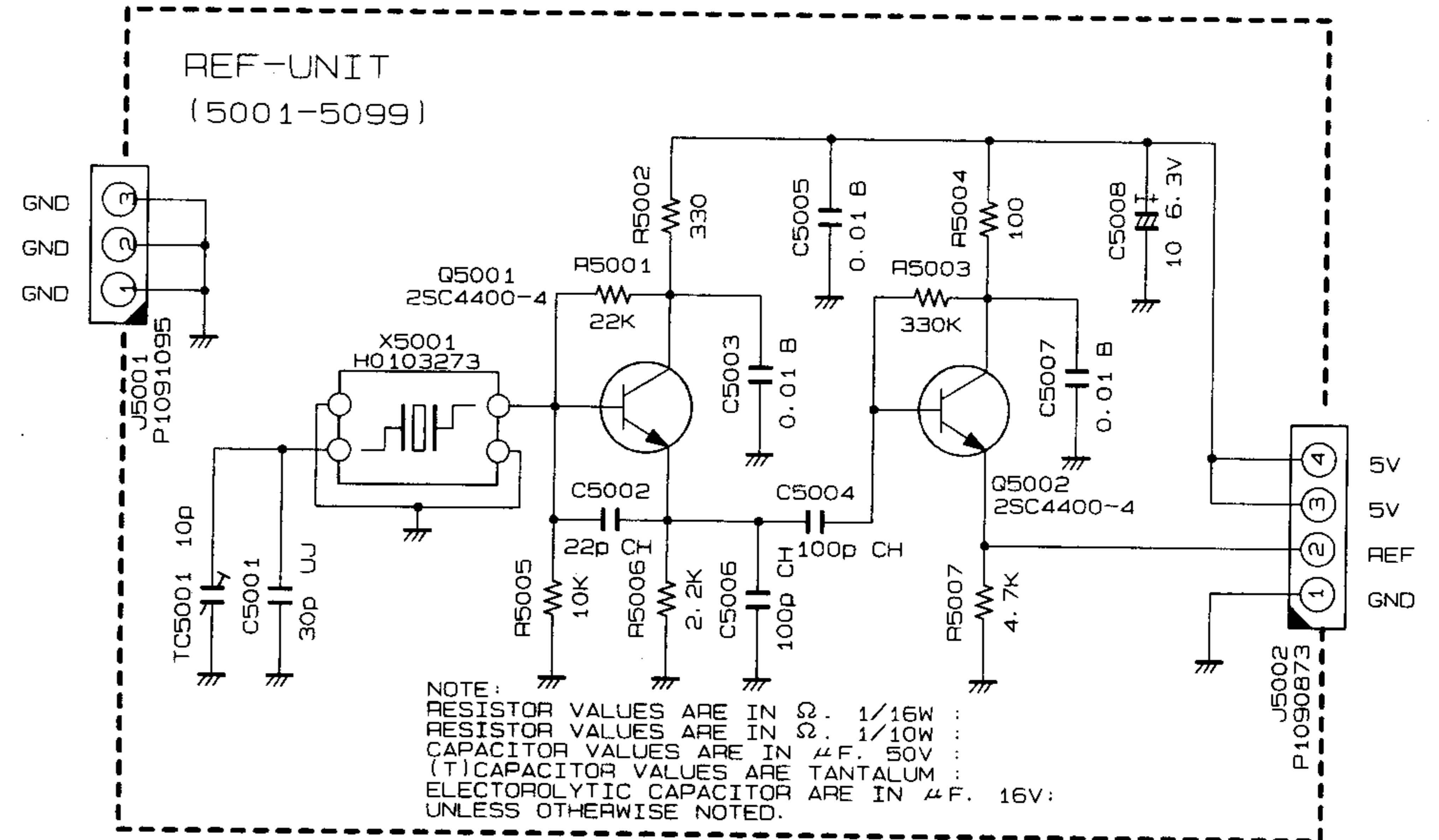
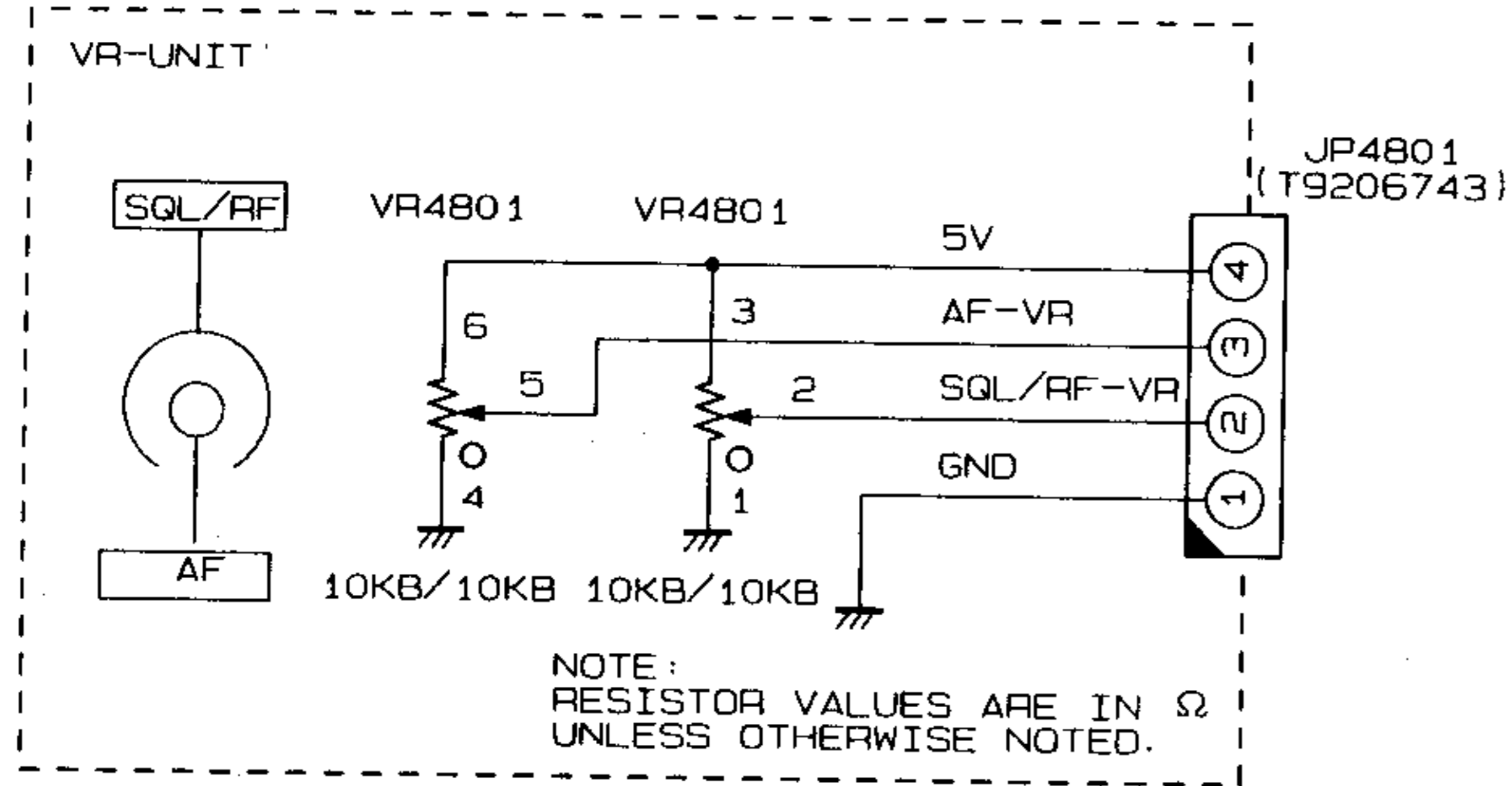


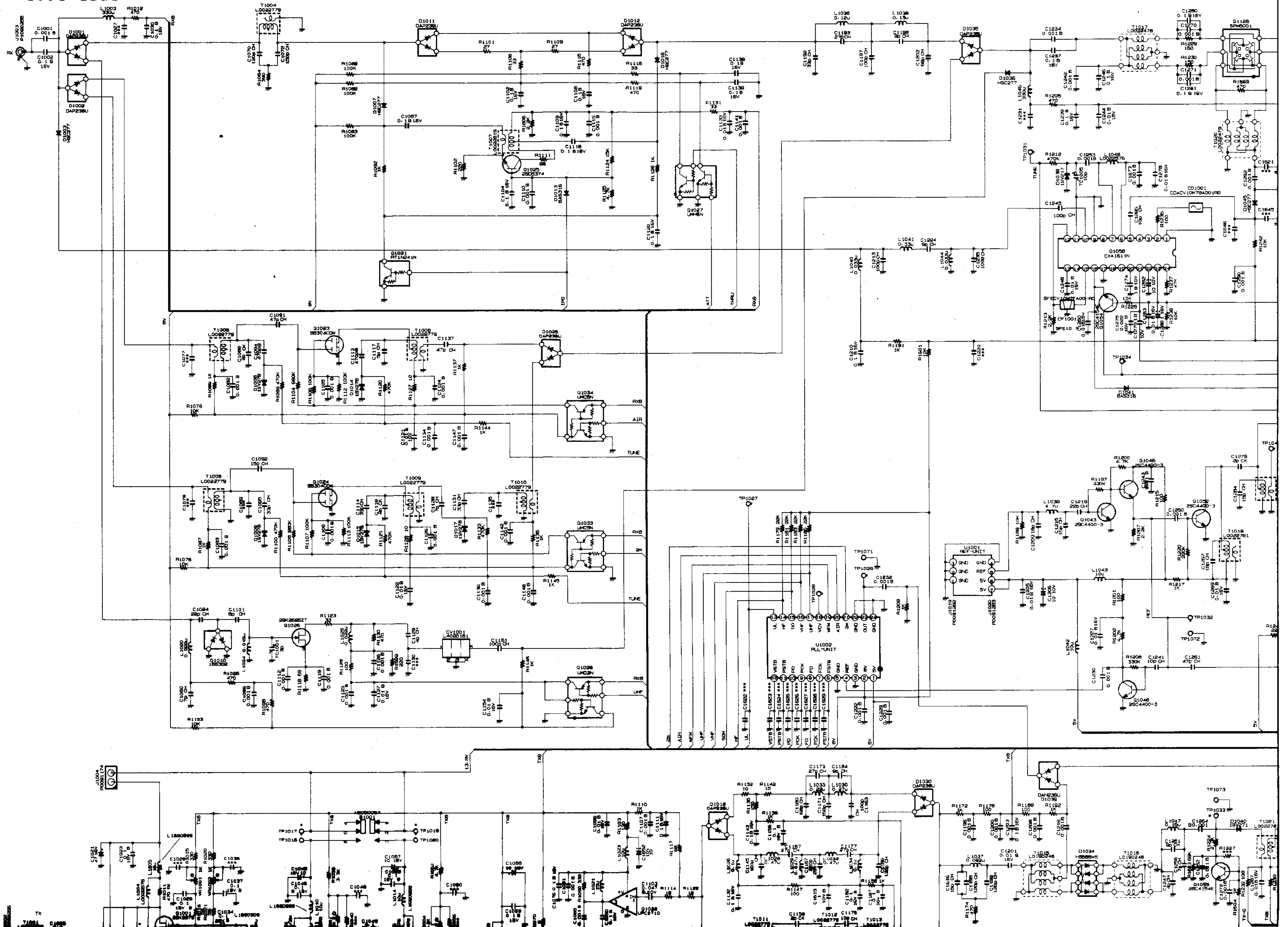
# FT-897 CIRCUIT DIAGRAM

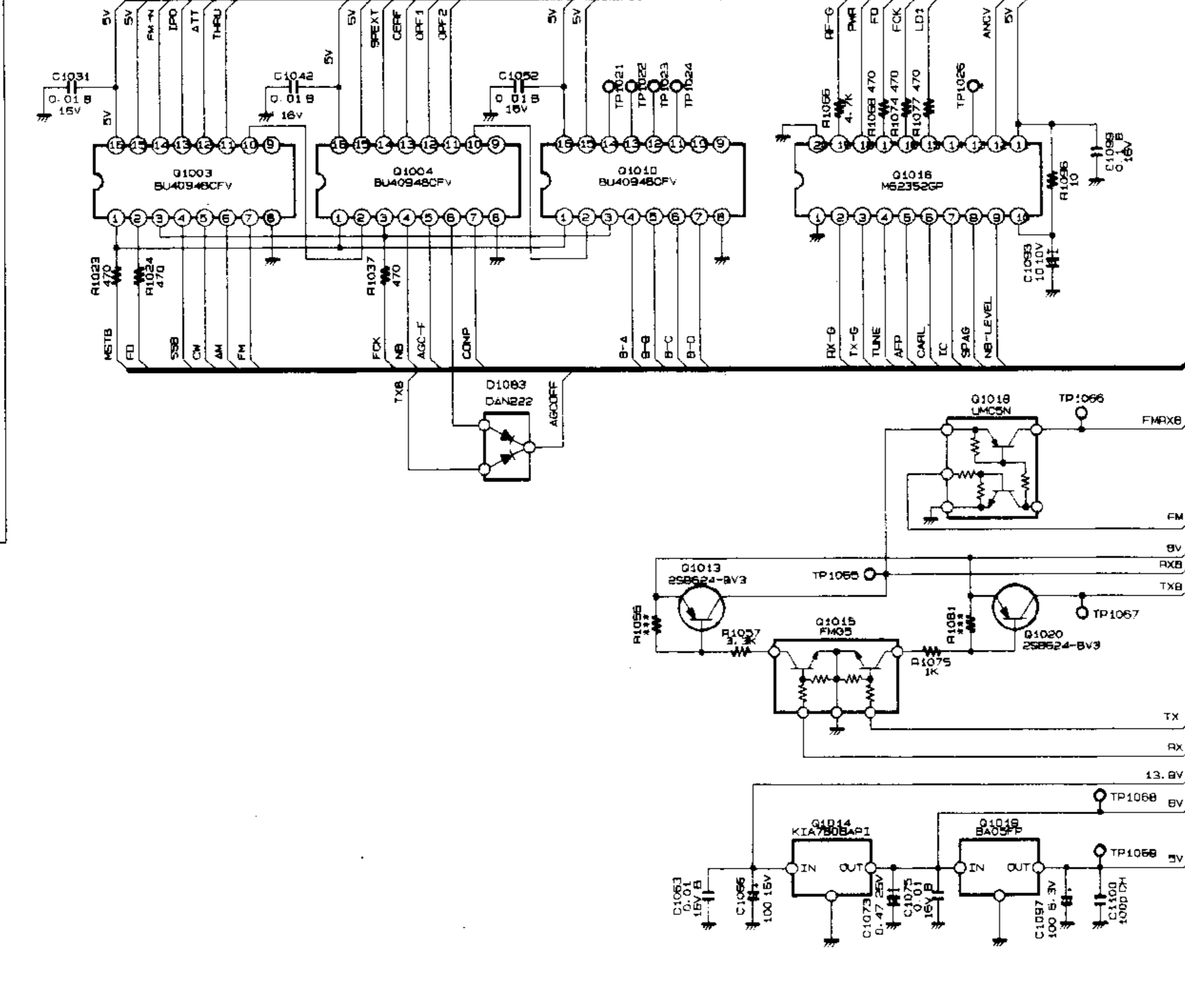
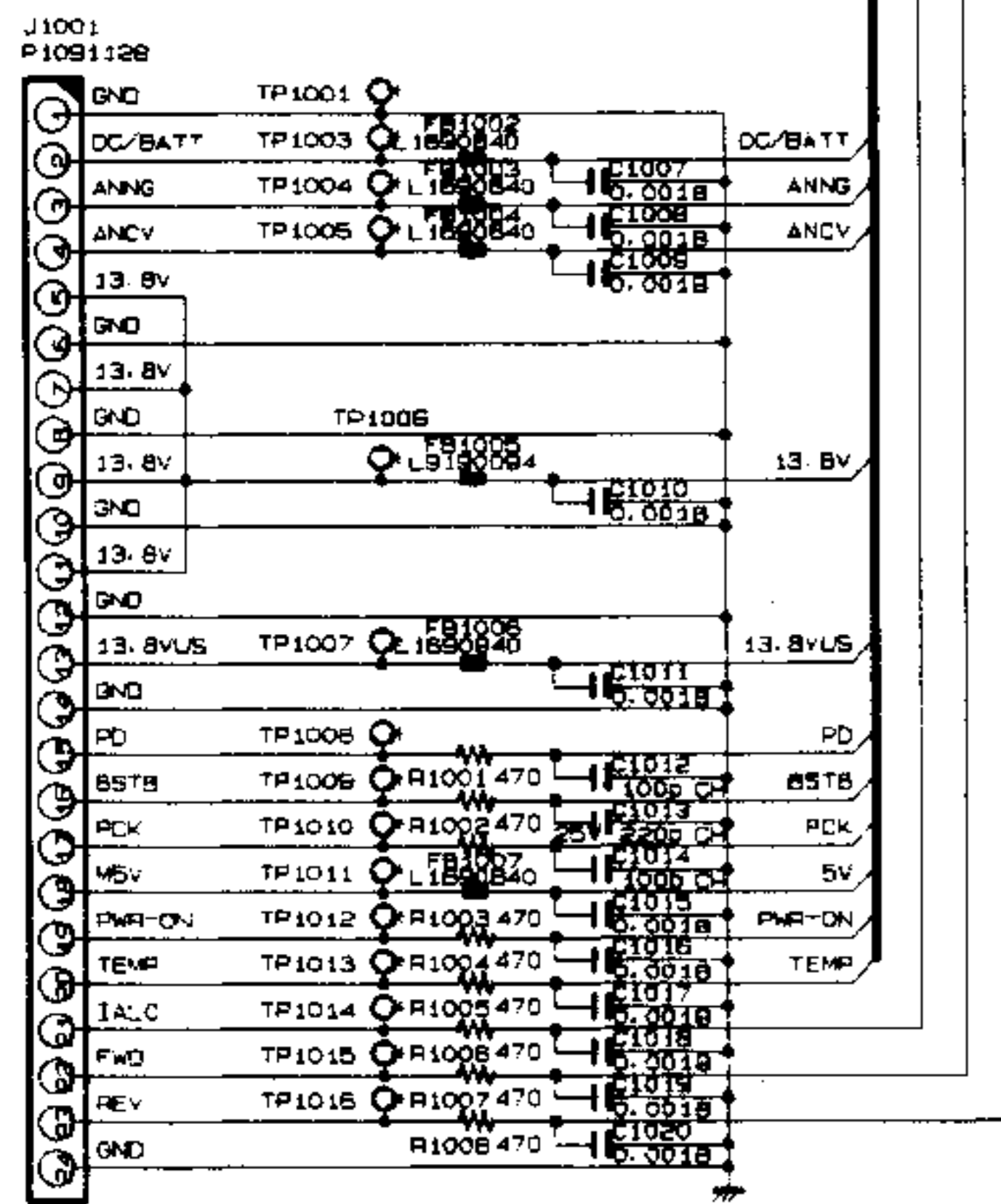


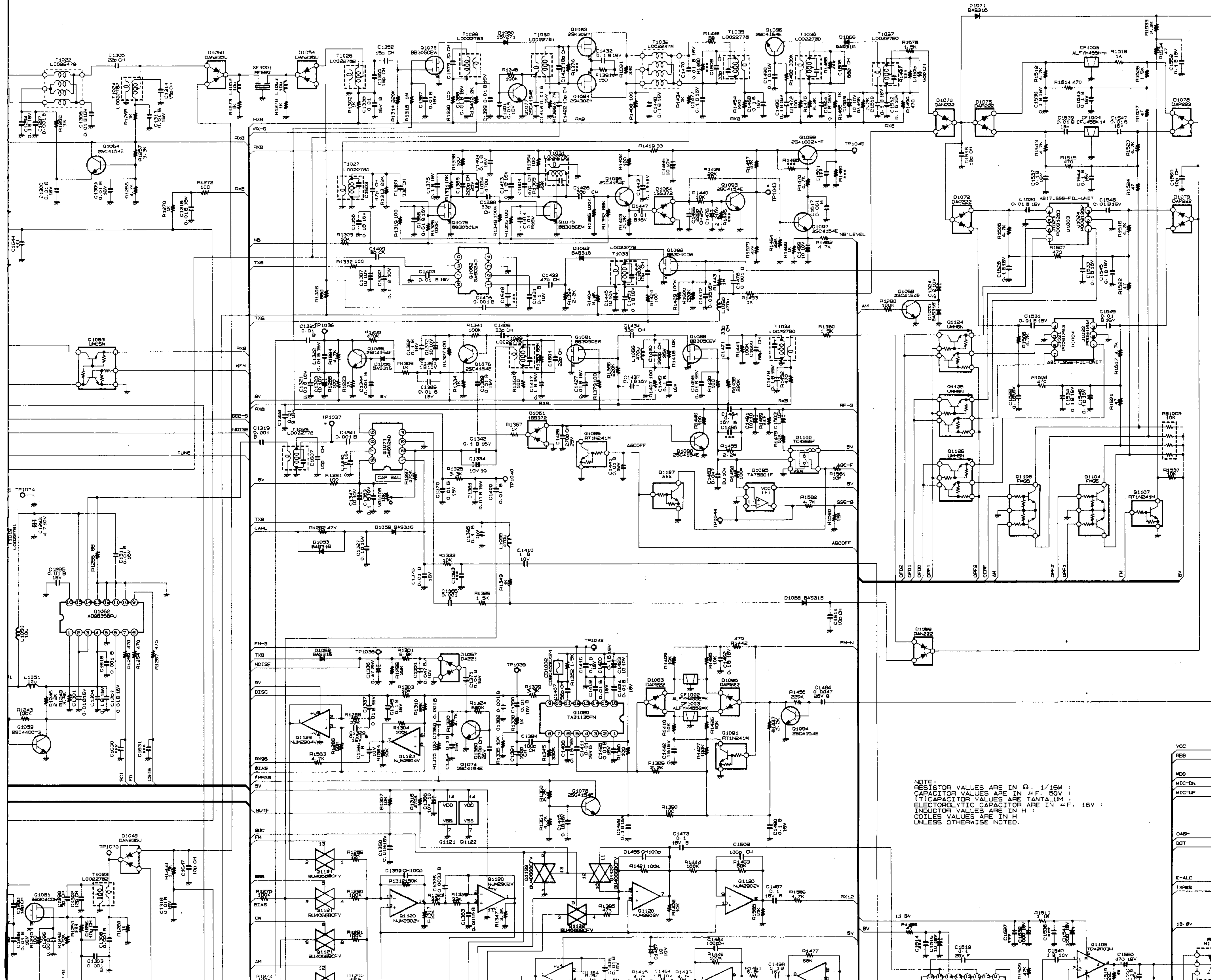




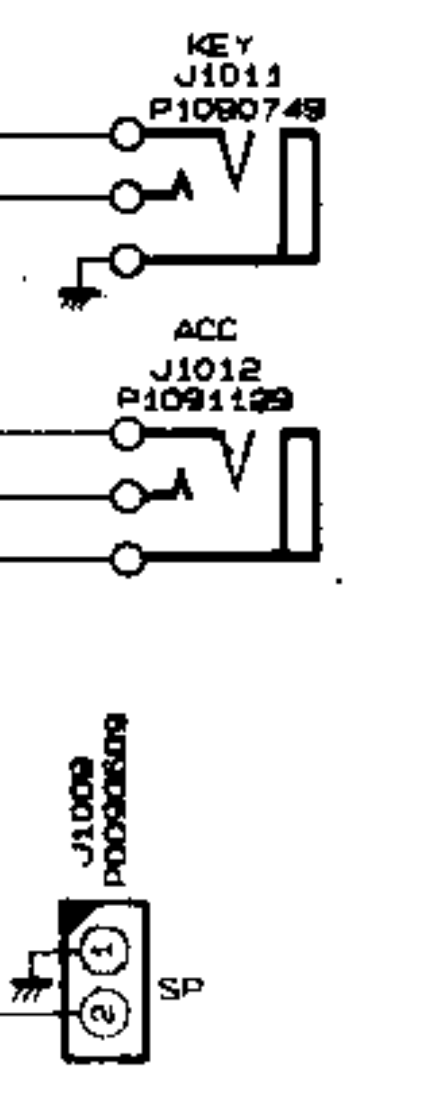
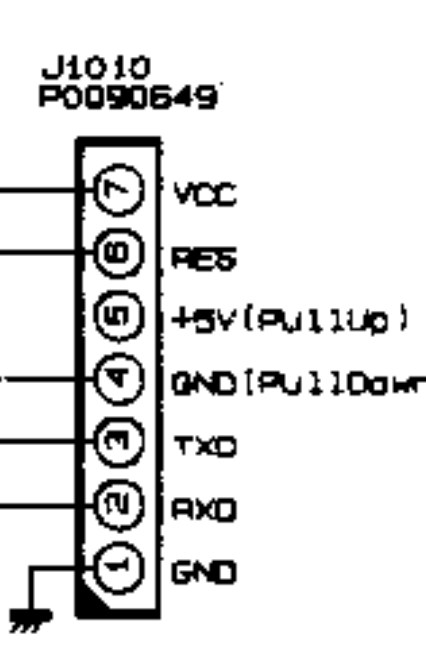
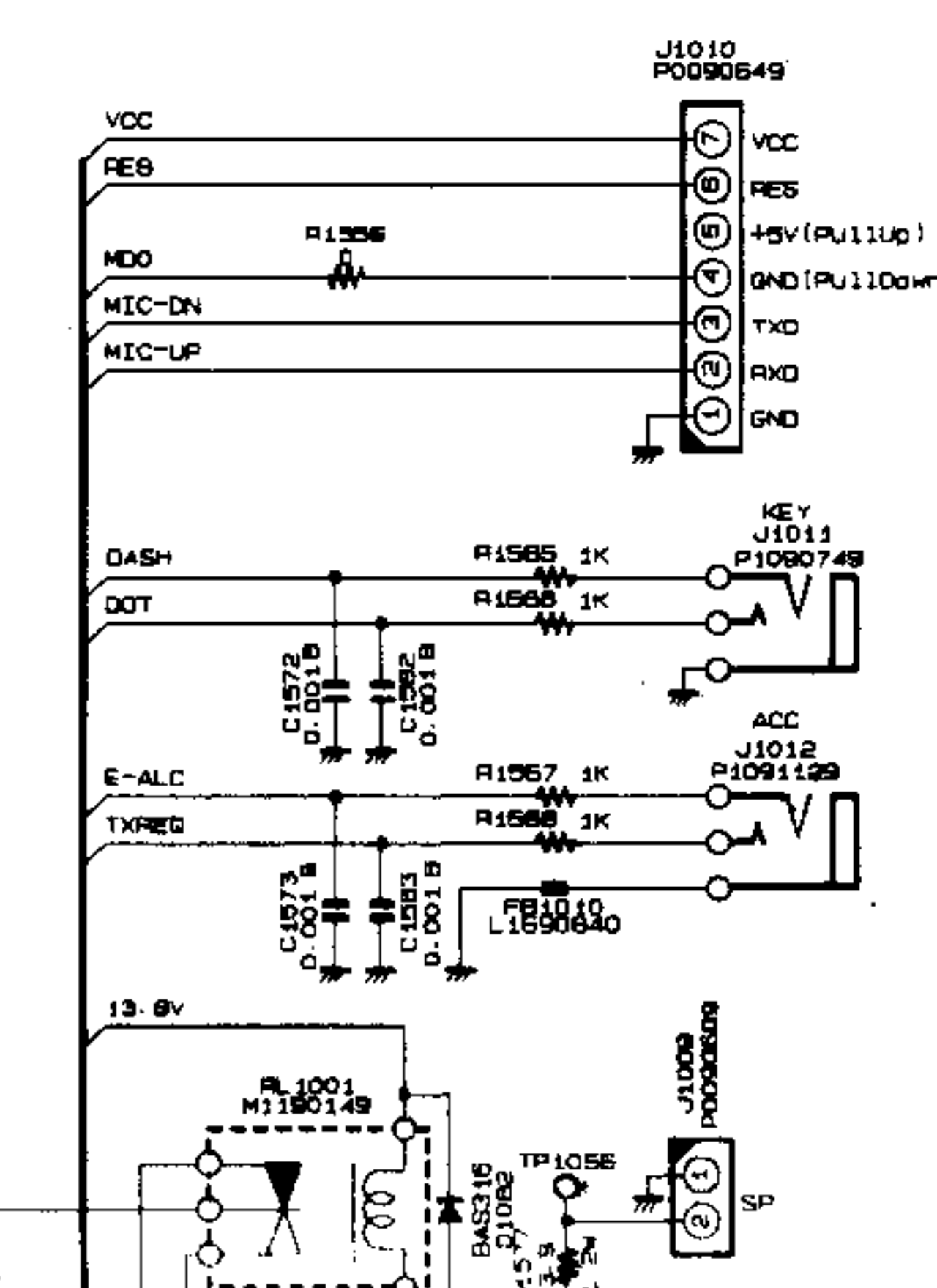
MAIN-UNIT  
1001-1999

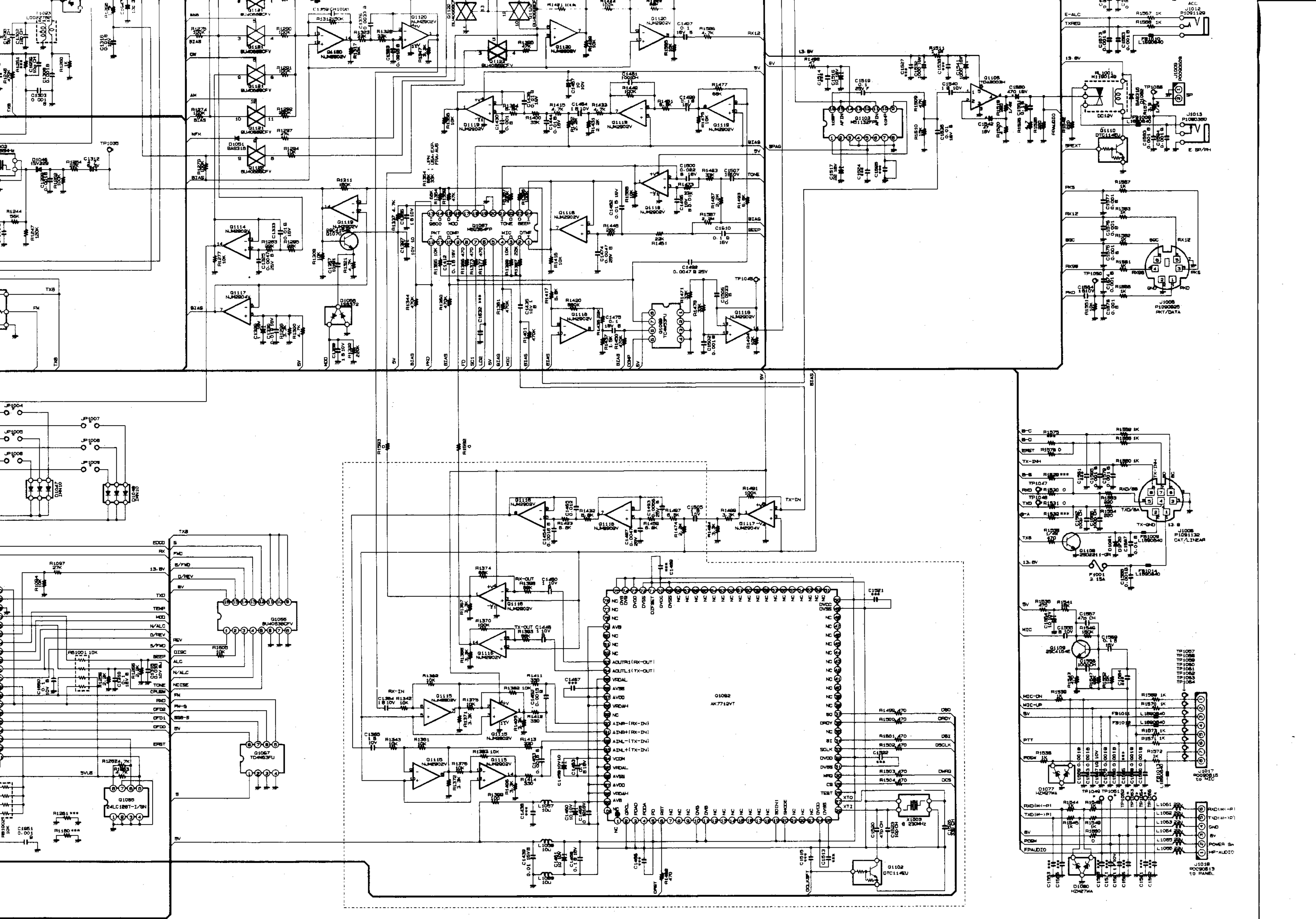




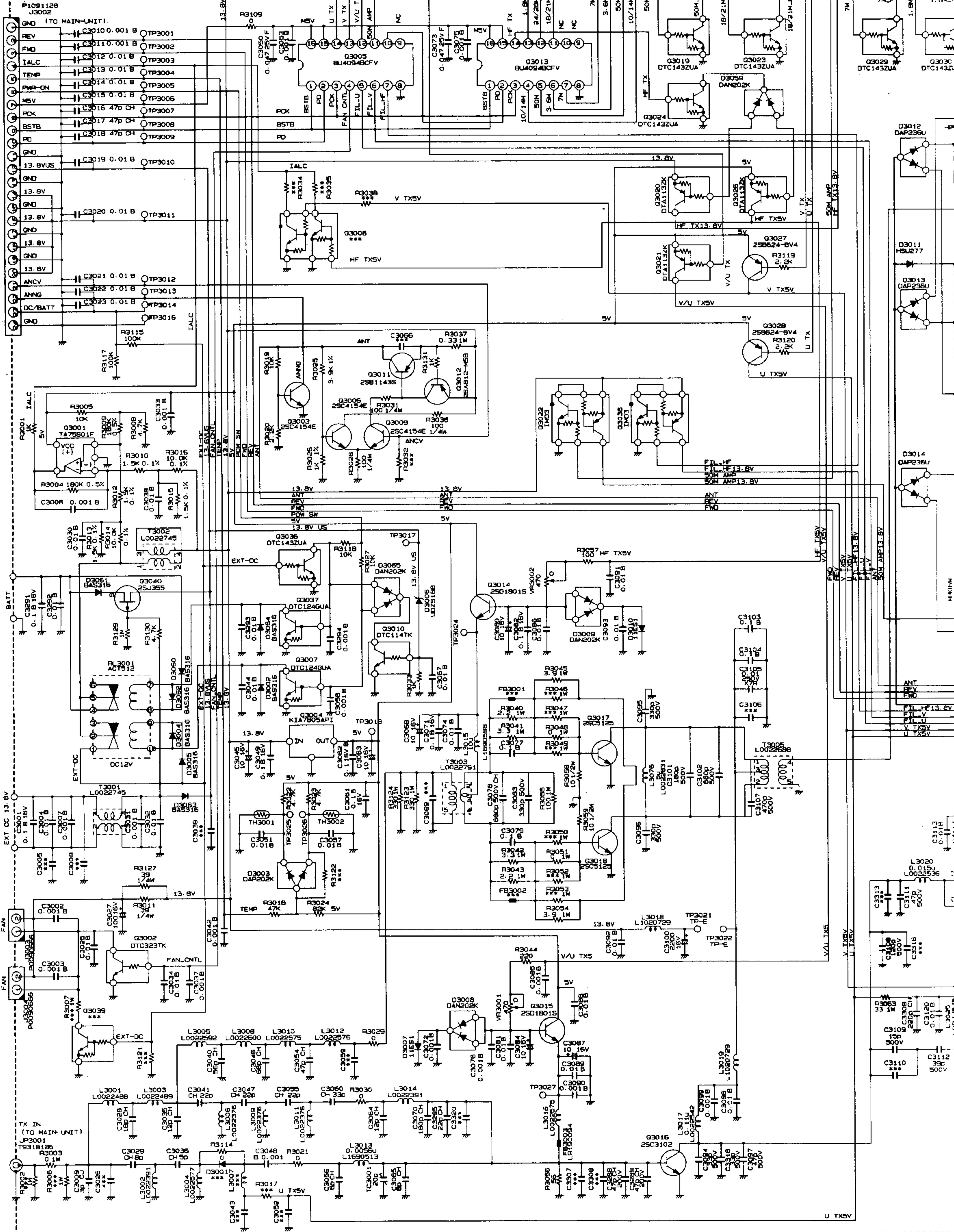


NOTE:  
 CAPACITOR VALUES ARE IN  $\mu$ F, 1/16W ;  
 CAPACITOR VALUES ARE IN  $\mu$ F, 50V ;  
 (T) CAPACITOR VALUES ARE TANTALUM ;  
 ELECTROLYTIC CAPACITORS ARE IN  $\mu$ F, 16V ;  
 INDUCTOR VALUES ARE IN H ;  
 COILS VALUES ARE IN H ;  
 UNLESS OTHERWISE NOTED.

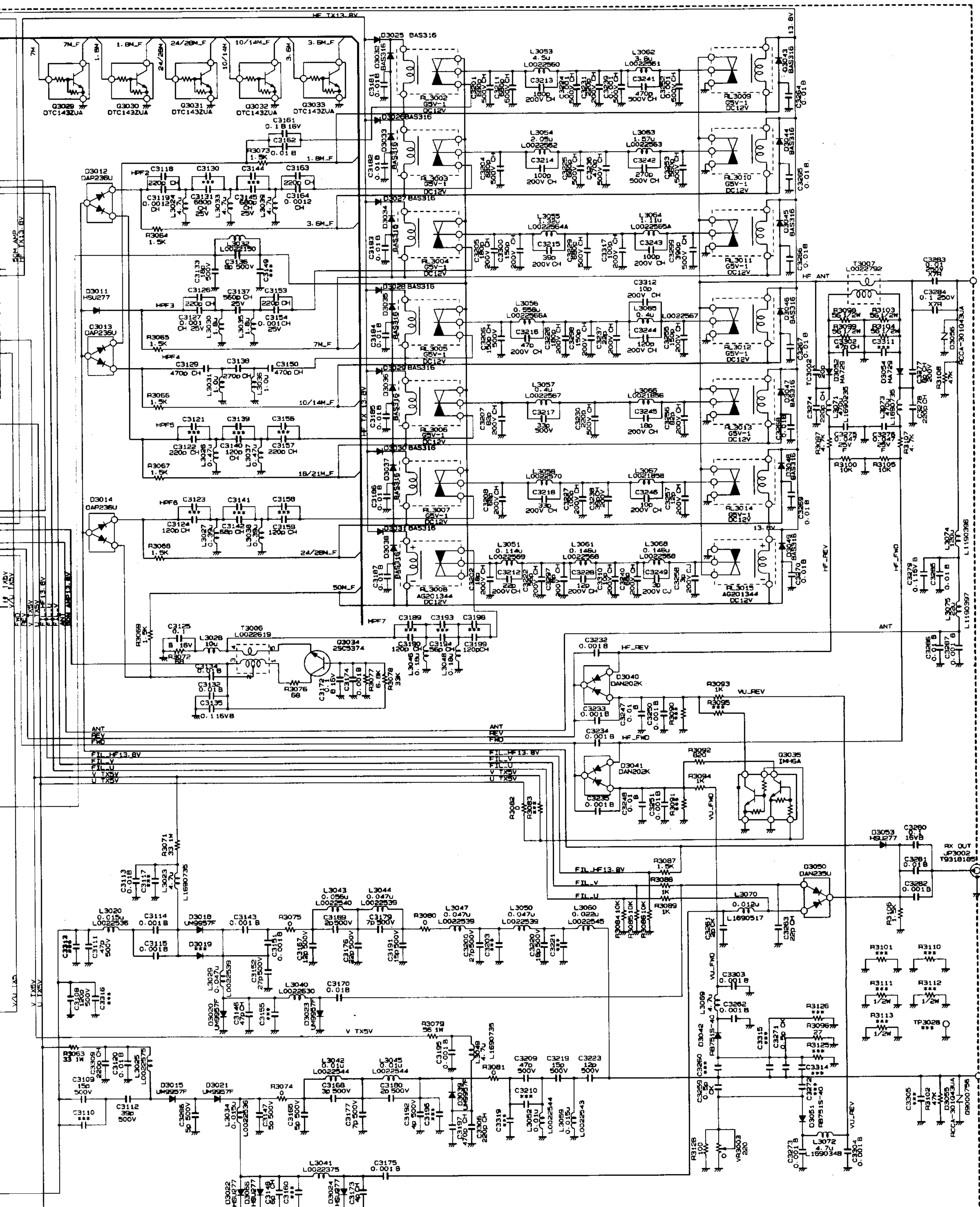




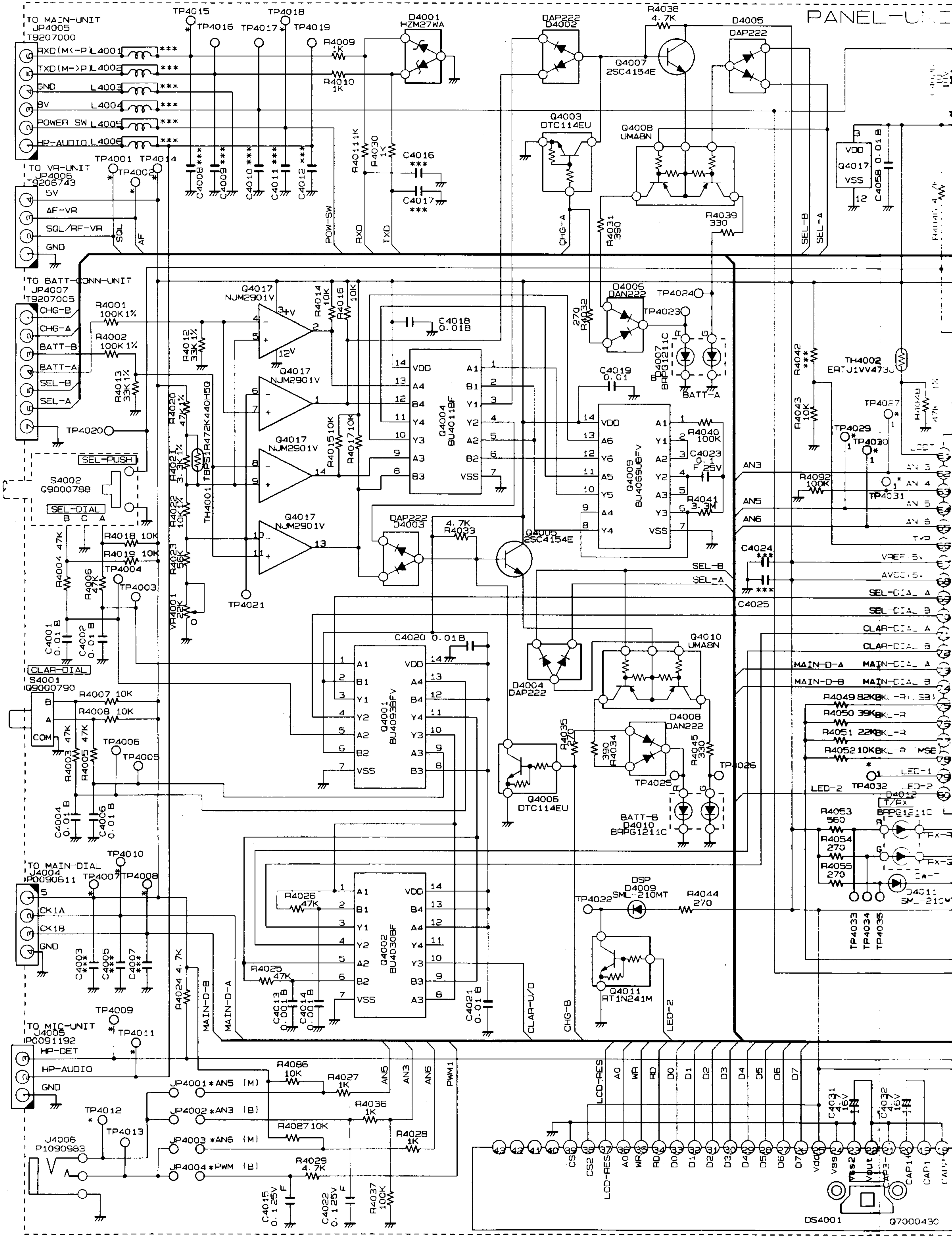
# PA-UNIT



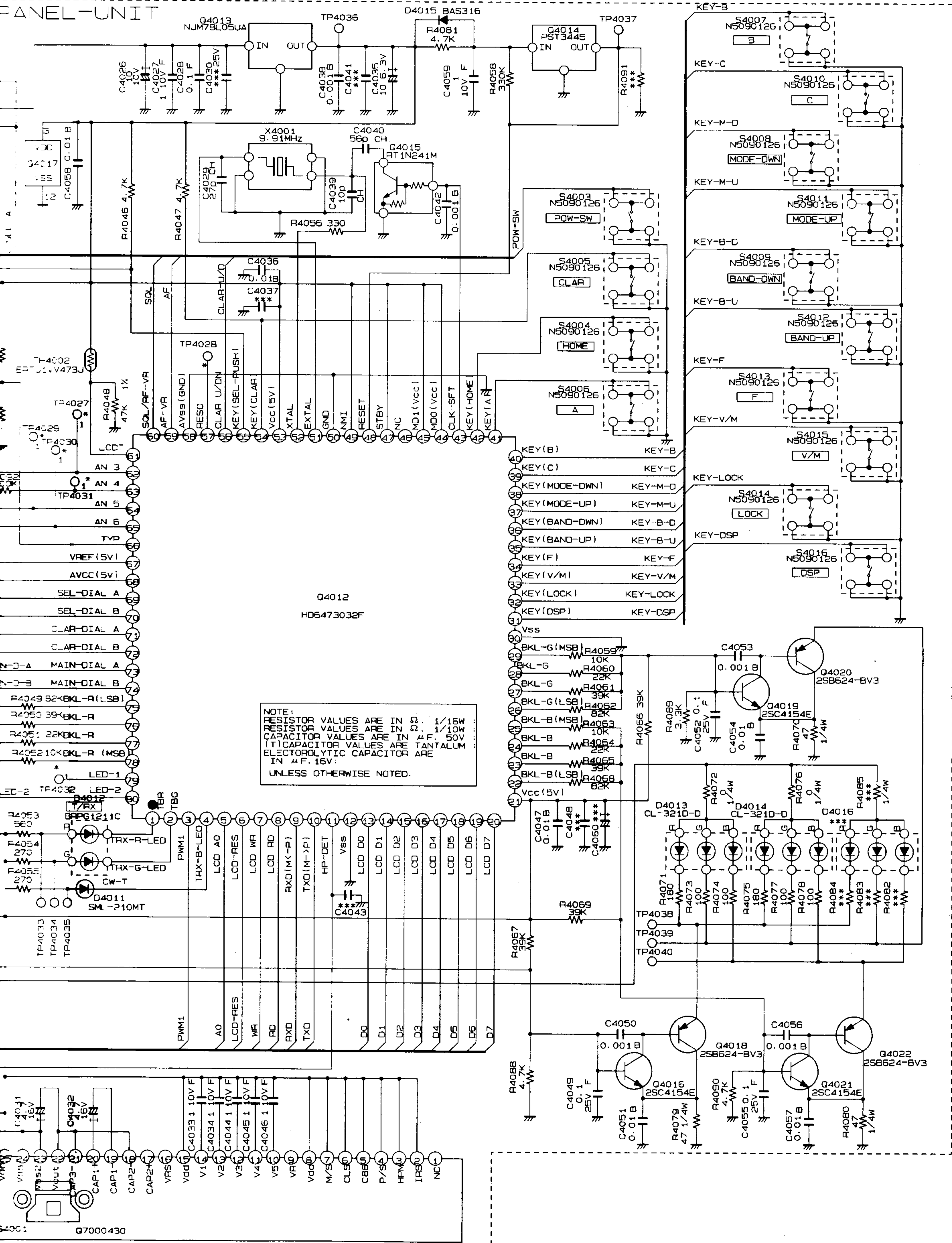




NOTE:  
 RESISTOR VALUES ARE IN Ω, 1/16W;  
 CAPACITOR VALUES ARE IN pF, 50V;  
 (T) CAPACITOR VALUES ARE TANTALUM;  
 ELECTROLYTIC CAPACITORS ARE IN μF, 15V;  
 INDUCTOR VALUES ARE IN μH;  
 COIL VALUES ARE IN H;  
 UNLESS OTHERWISE NOTED.



PANEL-UNIT

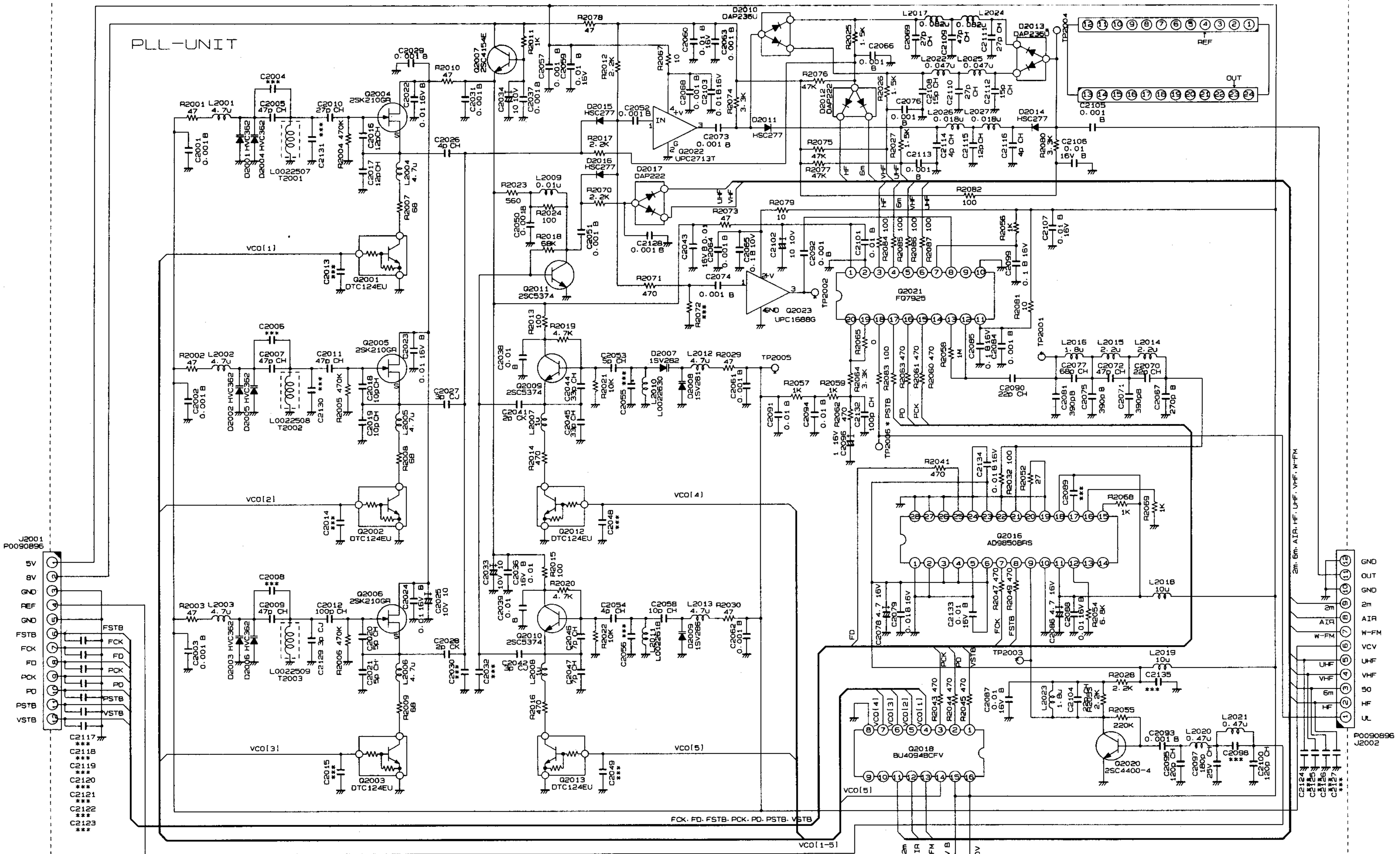


NOTE:  
 RESISTOR VALUES ARE IN Ω. 1/16W  
 RESISTOR VALUES ARE IN Ω. 1/10W  
 CAPACITOR VALUES ARE IN pF. 50V  
 (T) CAPACITOR VALUES ARE TANTALUM  
 ELECTROLYTIC CAPACITOR ARE  
 IN μF. 16V.  
 UNLESS OTHERWISE NOTED.

Q4012  
 HD6473032F

Q7000430

PLL-UNIT



NOTE:  
 RESISTOR VALUES ARE IN Ω, 1/16W;  
 CAPACITOR VALUES ARE IN μF, 50V;  
 ELECTROLYTIC CAPACITOR ARE IN μF, 16V;  
 INDUCTOR VALUES ARE IN H;  
 COILES VALUES ARE IN H;  
 UNLESS OTHERWISE NOTED.

2m, 6m, AIR, HF, UHF, VHF, W-FM

